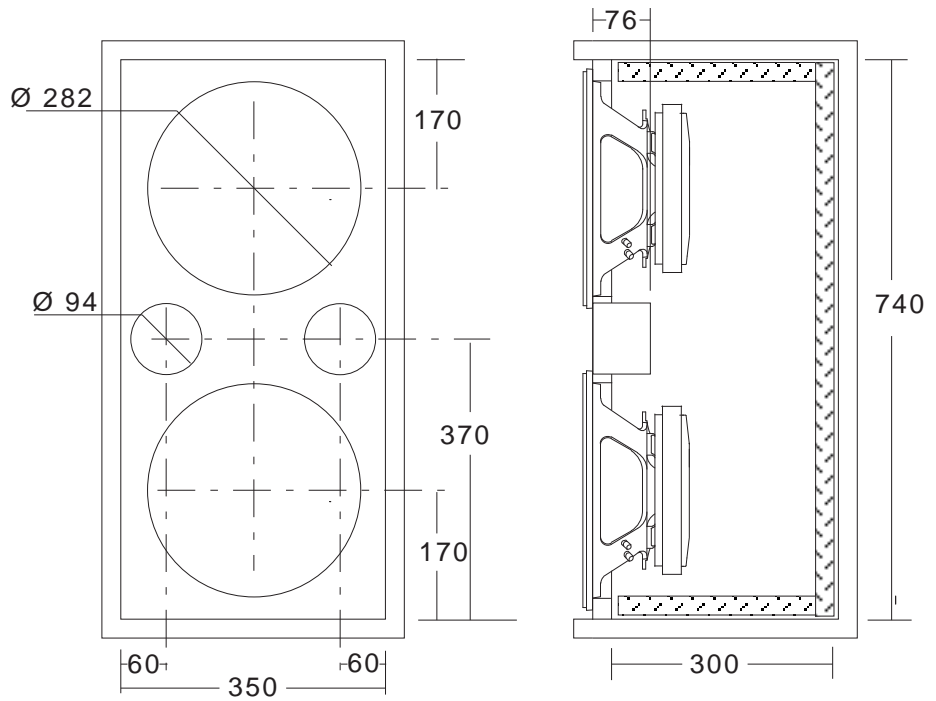
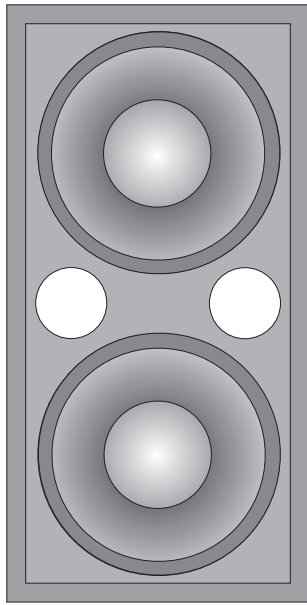


# BR012 BASS REFLEX BOX



## COMPONENTS

L F (n°2) parallel	12.75 W1	12.00 W1
Max Power	1600 W	2000 W
Nominal Power	800 W	1000 W
Impedance	4 $\Omega$	

## SPECIFICATIONS

Sensitivity 1W/1m	:	101	dB
Net volume Vb	:	70	dmc
Tuning Frequency Fb	:	55	Hz
Frequency range	:	20 ÷ 1000	Hz

FREQUENCY RESPONSE 12.00 W1 (1W/1m)

